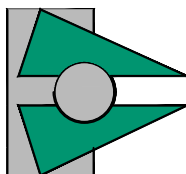
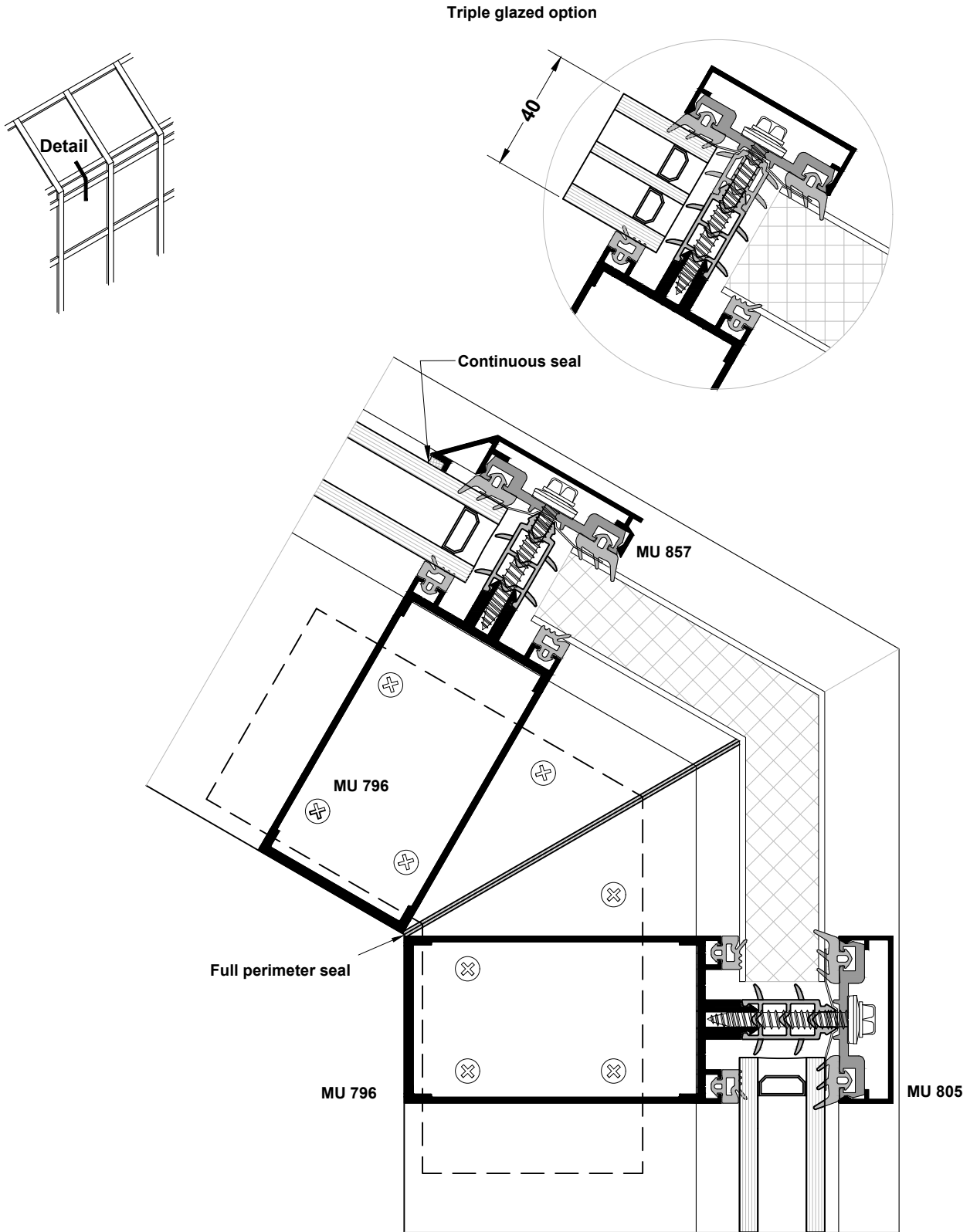


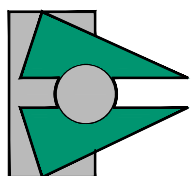
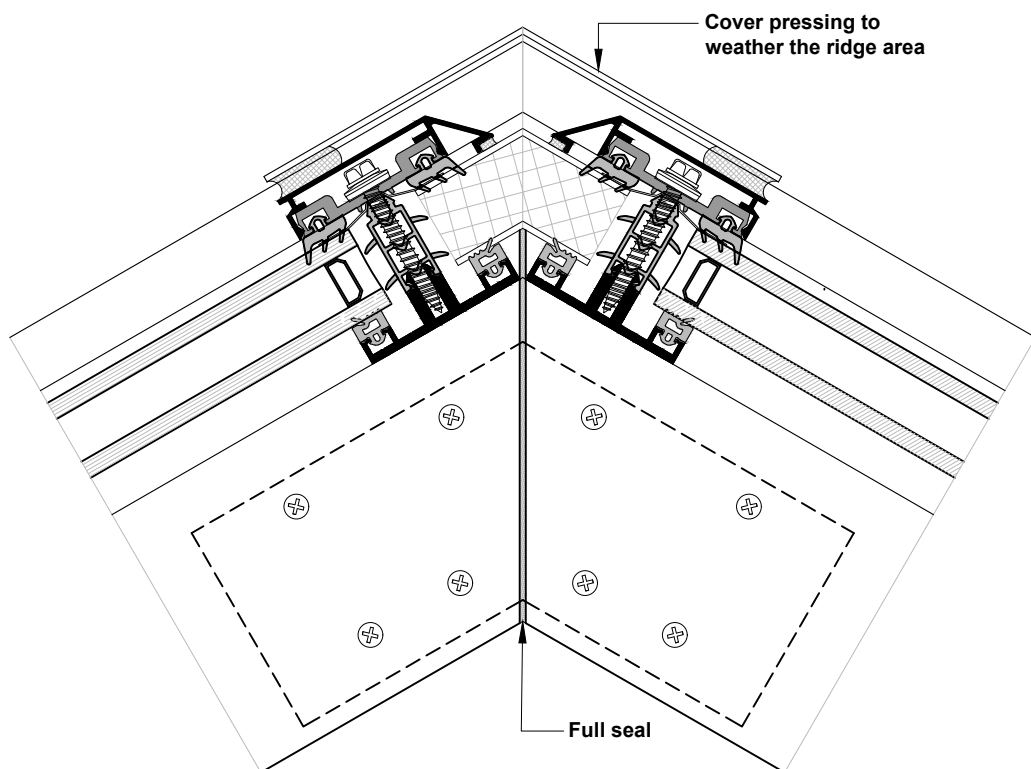
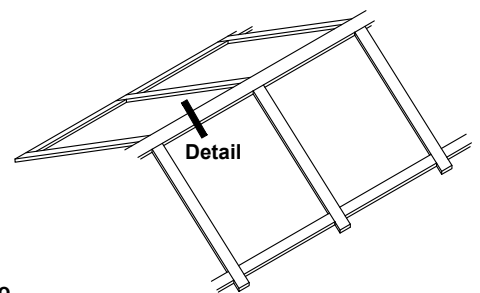
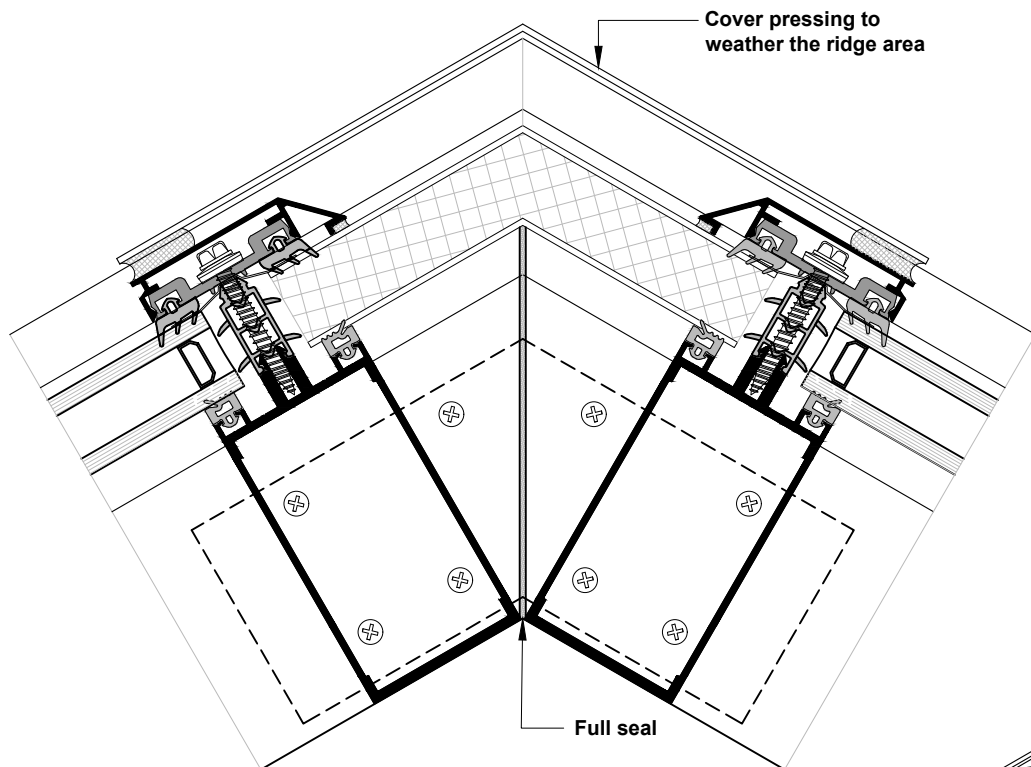
# MU 800Hi - CAPPED CURTAIN WALL SYSTEM

Typical eaves detail



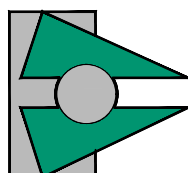
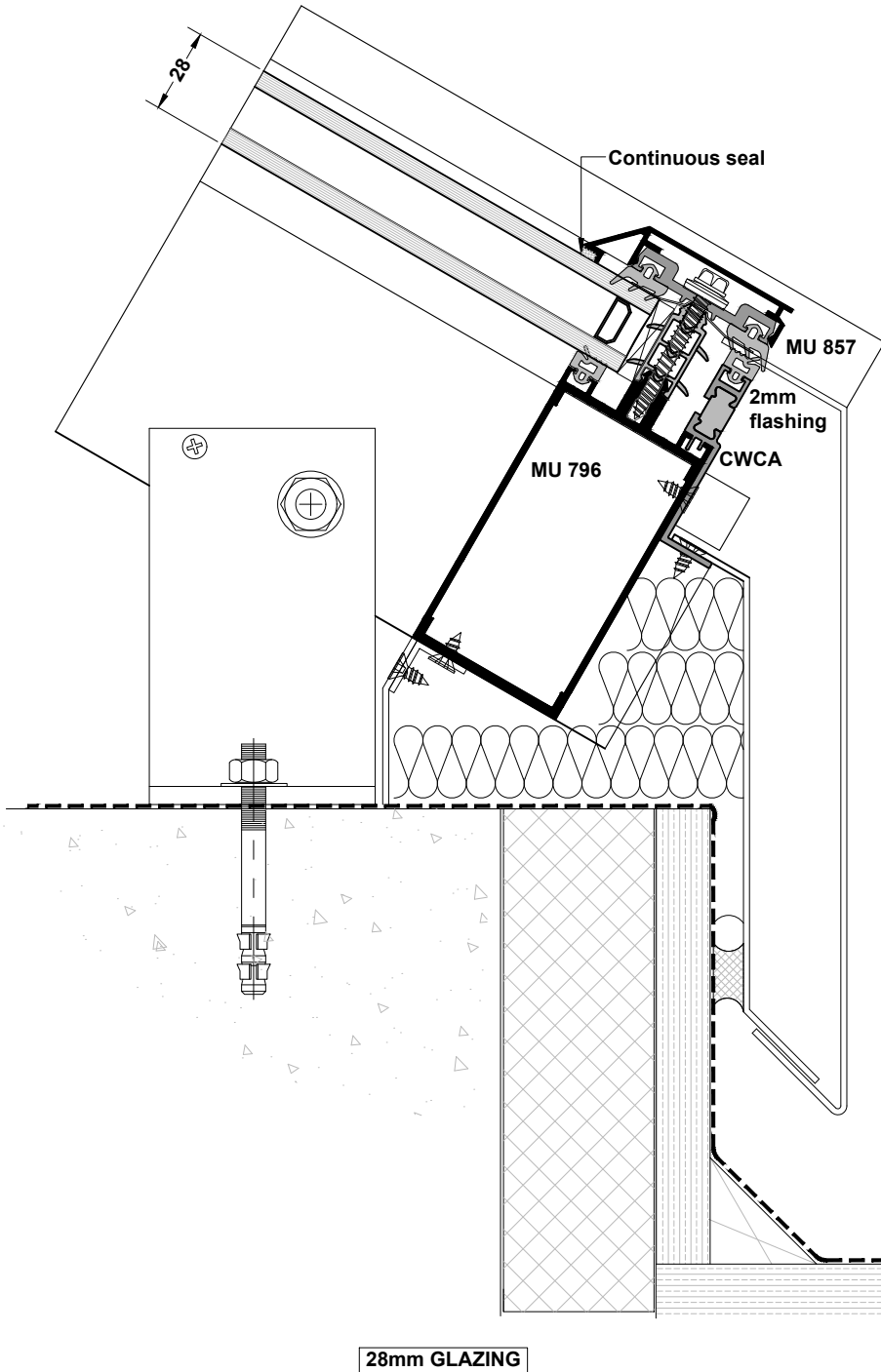
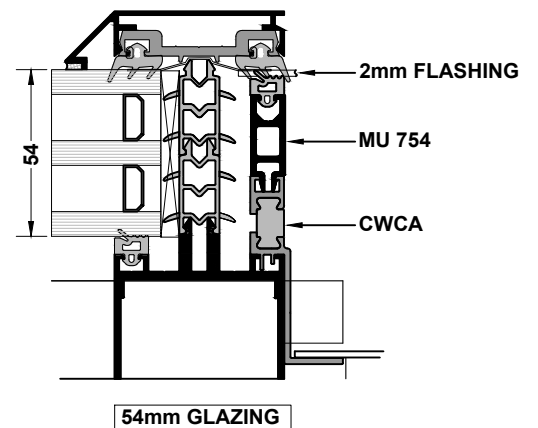
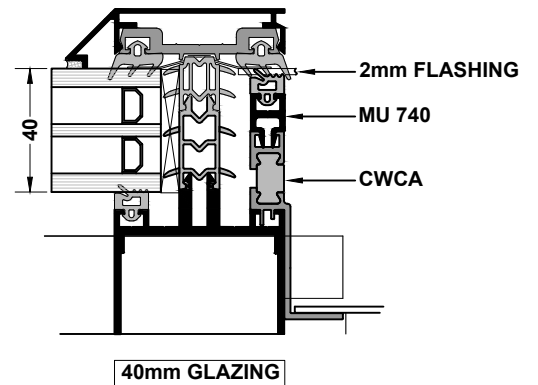
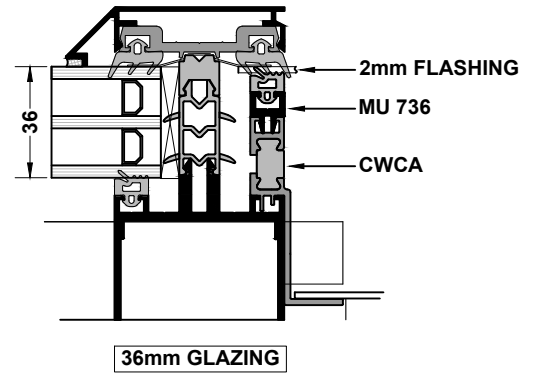
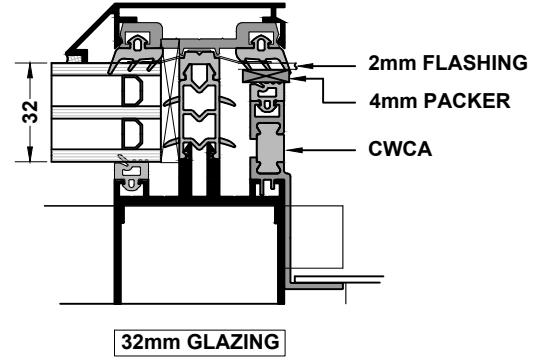
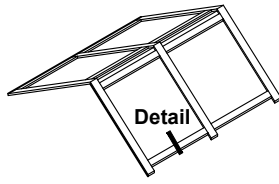
# MU 800Hi - CAPPED CURTAIN WALL SYSTEM

Typical ridge details



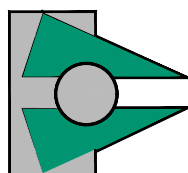
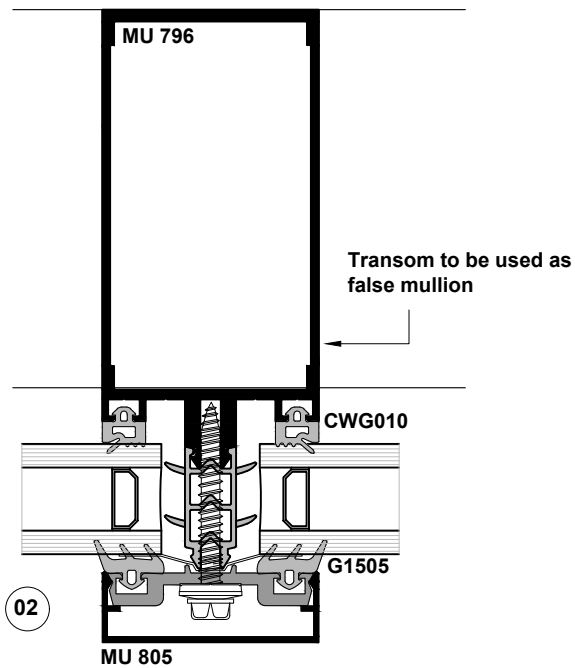
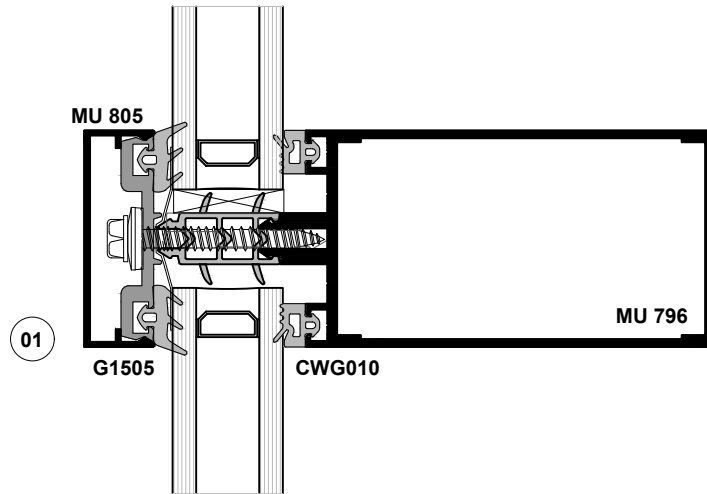
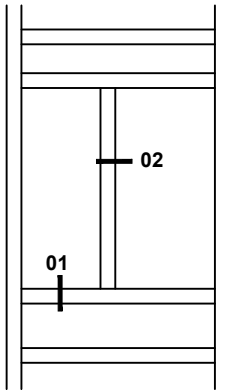
# MU 800Hi - CAPPED CURTAIN WALL SYSTEM

Typical cill details - sloped glazing



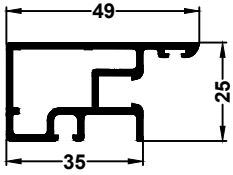
# MU 800Hi - CAPPED CURTAIN WALL SYSTEM

## False Mullion / Transom detail

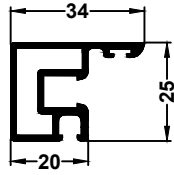


# MU 800Hi - CAPPED CURTAIN WALL SYSTEM

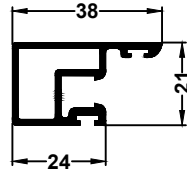
## Mullion - Matrix capping details



**MUSL 04**  
Extended 'Matrix' Capping



**MUSL 01**  
'Matrix' Capping



**MUSL 05**  
'Matrix' Capping



5.1 x 1200  
Woolpile (CDA016)



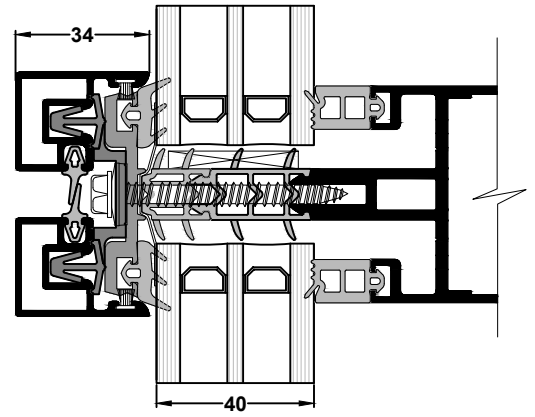
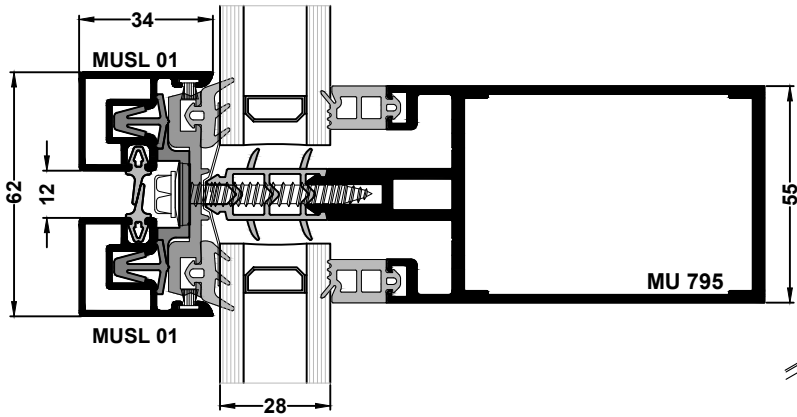
8471  
Matrix flipper gasket



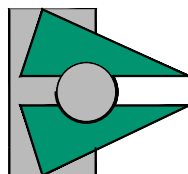
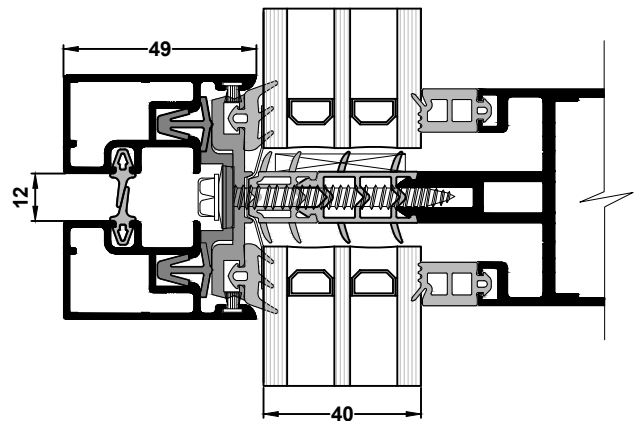
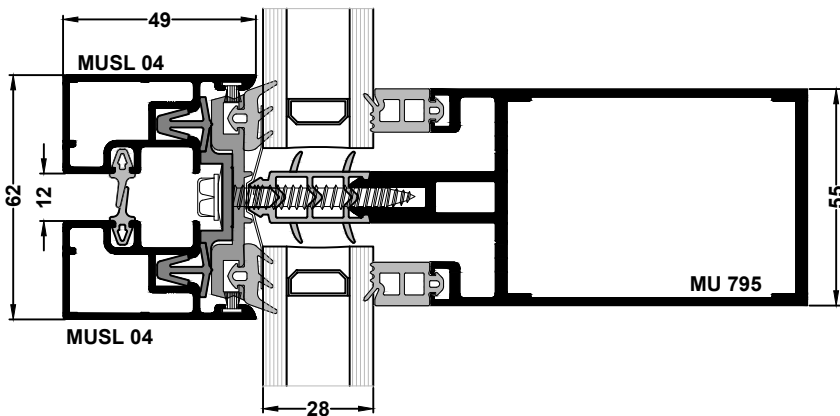
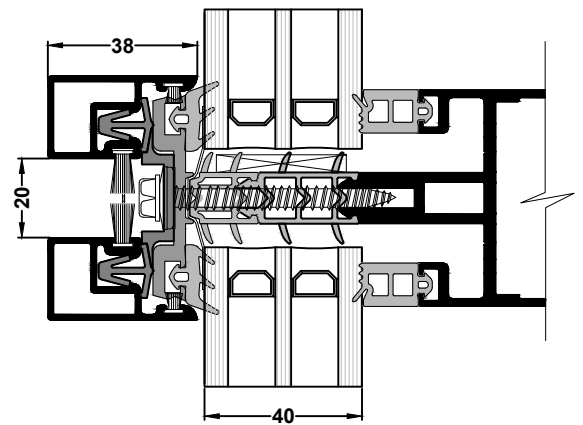
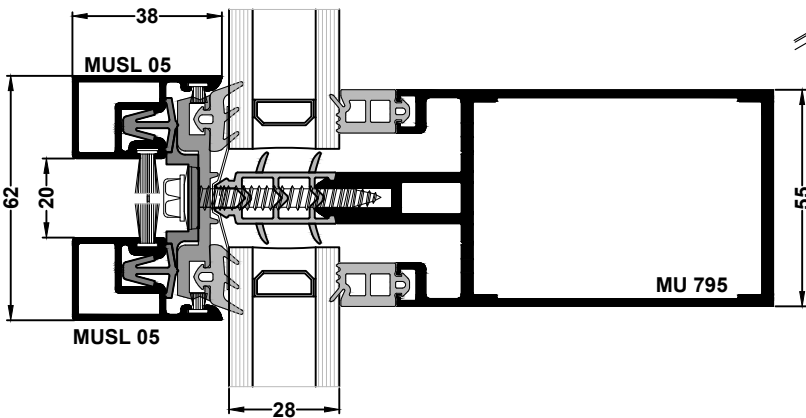
4.8 x 450  
Woolpile for cap



**MUSL CLIP**  
Matrix Clip

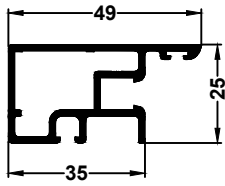


Detail

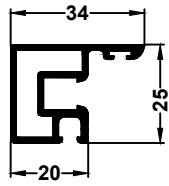


# MU 800Hi - CAPPED CURTAIN WALL SYSTEM

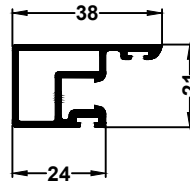
## Transom - Matrix capping details



**MUSL 04**  
Extended 'Matrix' Capping



**MUSL 01**  
'Matrix' Capping



**MUSL 05**  
'Matrix' Capping

5.1 x 1200  
Woolpile (CDA016)

4.8 x 450  
Woolpile for cap

8471  
Matrix flipper gasket

**MUSL CLIP**  
Matrix Clip

