



**BOON EDAM**  
YOUR ENTRY EXPERTS.



# TOURNIKET.

---

THE **AUTOMATIC OR MANUAL** ORIGINAL REVOLVING DOOR



## CLICKABLE.

Make the most of your experience within this brochure, and hover your mouse over words and pictures to get deeper insights and inspiration. (pdf version only)

## OVERVIEW

The Tourniket is our most versatile revolving door that can be fully customised to reflect your building's design and functionality. It is available with three or four-door wings, with manual or automatic operation and in virtually any colour or finish you can think of.

The Tourniket is also available with a doorset that can automatically fold open when the disabled access button is pushed. This feature allows easy, unhindered disabled access even in small diameter doors.

## VERSATILE SOPHISTICATION

Our original revolving door, the Tourniket, has evolved into a sophisticated, intelligent entrance solution. This automatic or manual revolving door is still the basis of many of the special projects we are involved in, as it is an incredibly versatile entry solution. Its engineering quality has repeatedly been proven in prestigious projects around the world.

The Tourniket offers a range of features and options to adapt to diverse building requirements. It can be customised to match the building's design with various materials, finishes, and colours. The door is available in different configurations and sizes, making it suitable for spaces of varying traffic volumes and spatial constraints.

The Tourniket comes in three-wing and four-wing versions. The three-wing version provides a spacious compartment for added comfort, while the four-wing version offers a wider day opening and efficient passage in two directions simultaneously. Both versions can be collapsed to create a wide escape route during emergencies.

## SAFETY AND SECURITY

The Tourniket is a secure and safe entry solution. It meets rigorous safety regulations and incorporates safety sensors in the door wings and frame to detect users and objects, avoiding any impact. The door's behaviour can be customised to prioritise safety or throughput based on specific building requirements, considering different user groups, including trained individuals and those with special needs like children and the elderly.

### We offer the following additional safety measures:

- BoonAssist: PPS - a control system that helps the user during pushing (power assisted), positions automatically to the rest position (positioning), and limits the speed during pushing (speed control).
- Accessibility buttons
- Contrasting stickers with safety icons on the door wings and curved walls
- Sensors with laser technology
- Block detection
- Emergency stop and / or open buttons

The front entrance to an office, residential, or public building should also include security options. Whether an uninvited visitor is outside the door or the facility manager is locking up for the night, revolving door security options allow for an added layer of protection.

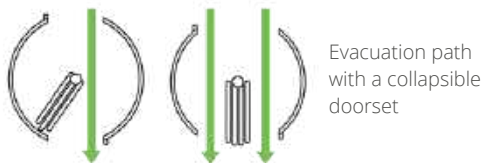
### We offer the following additional security measures:

- RC3 Burglar protection package
- Automated or manual locking
- Internal and external automatic shield doors (night locking)
- Security lockdown for immediate action
- Access control options (semi-secured passage)

## ESCAPE ROUTE

The escape route is one of the main issues when considering a building's main entrance. The Tourniket comes standard with a rigid doorset but can be specified with a collapsible doorset. With this option the door wings can be collapsed to create a clear passage.

Please note that the minimum passage widths are subject to local regulations and building specifications.



Evacuation path with a collapsible doorset

## ACCESSIBILITY

The Tourniket offers enhanced accessibility with larger three-wing versions and an auto-folding option for small lobbies. It creates a wide, unobstructed passage for wheelchairs and trolleys. The auto-folding door wing is activated using a disable push button. Aided by visual and audio signals, the door wings reach a stationary position before one wing automatically folds back to allow a barrier free passage.

This feature is possible in various diameters starting from 2400 mm.



Auto-folding doorset

## KEY FEATURES

- 3 or 4-Wing configuration
- Rigid, collapsible or automatic folding doorset
- Manual, semi-automatic or fully automatic operation
- Large selection of dimensions
- BoonAssist: Low energy assisting and positioning

## KEY BENEFITS

- Handles low to moderate throughput
- Access for all (easy, convenient disabled support)
- Automatic operation for touchless entry
- Highly customisable (extend your brand)
- Sustainable and energy-saving
- Draft-free entrance (Reduced air infiltration)

## SUGGESTED SEGMENTS

- Corporate
- Governmental
- Restaurants and hospitality
- Hotels
- Retail

**SAVE  
ENERGY.**

## A SUSTAINABLE SOLUTION

Revolving doors are energy-efficient, separating conditioned inside air from outside air to prevent draughts, dust, and noise. This reduces energy consumption, costs, and carbon footprint.

At Boon Edam, we are proud of what we have achieved over the past 150 years. We strongly believe in building a sustainable future and preserving the earth for future generations. We constantly strive to improve our manufacturing processes and use recycled or recyclable materials wherever possible - this is part of our DNA. Production with minimal impact on the environment is a priority for us. For example, we have reduced the percentage of raw materials to lighten our carbon footprint. More detailed information on each of our products can be used for LEED certification processes - speak to your entry expert for the full story.

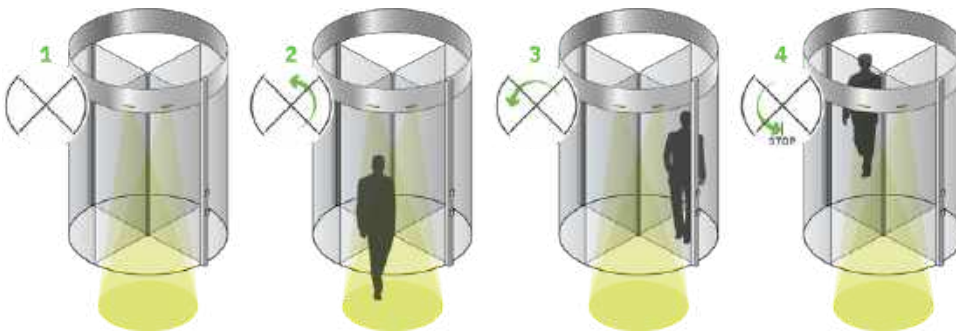
## ENERGY SAVING CALCULATOR

In general terms, air flows in and out of a building because of differences in air pressure and humidity in what is known as the stack effect. In the winter, heated air rises toward the top of a building, and as long as there are any openings on the ground floor, cold air rushes in to replace the heated air. The opposite happens in the summer, with the cold air flowing out the front doors. In addition, air flows through the building when doors, vents or windows are open; this is known as a wind tunnel effect. Regular foot traffic through ordinary doors can result in massive air leaks, requiring more energy to maintain the interior climate.

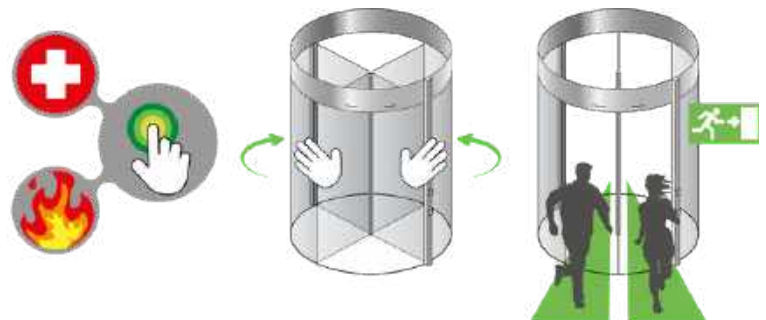
Working closely with the University of Delft, one of the leading technical universities in the Netherlands, Boon Edam has developed software that is able to use building-specific data to determine the energy saved by revolving doors compared to swinging or sliding doors.



### WORKING PRINCIPLE - REVOLVING MODE



### WORKING PRINCIPLE - COLLAPSIBLE DOOR SET

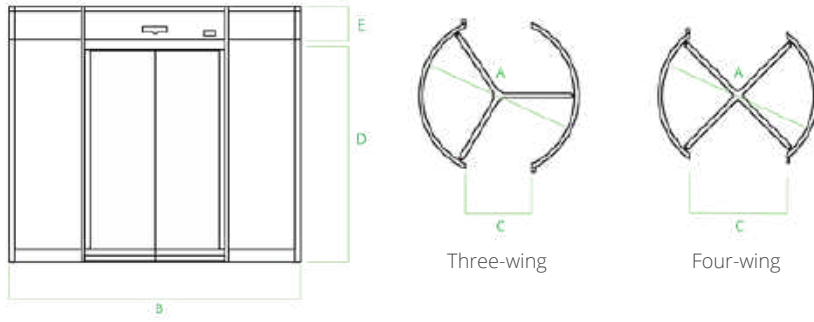


A: Four-wing manual collapsible model | B: Three-wing automatic rigid model | C: Four-wing automatic rigid model

## DIMENSIONS

From door diameter to height and various physical measurements, we fine-tune every detail to create your desired look that complements the surrounding

building elements and location. Achieve a fluid and harmonious aesthetic that is uniquely yours.



A Internal Diameter (mm)	No. of Door Wings	Max Persons per Segment	Theoretical Capacity / Minute*	User Type	Escape Route**	B Installation Width (mm)	C Throat Opening (mm)	D Height Under Canopy (mm)***	E Canopy Height (mm)
1600	3	1	2x22	Person		1677	695	2100-3600	200-1200
1600	4	1	2x26	Person		1677	1046	2100-3600	200-1200
1800	3	1	2x22	Person		1877	795	2100-3600	200-1200
1800	4	1	2x26	Person		1877	1187	2100-3600	200-1200
2000	3	1	2x22	Person, Cart		2077	895	2100-3600	200-1200
2000	4	1	2x26	Person		2077	1329	2100-3600	200-1200
2200	3	1	2x20	Person, Cart		2277	995	2100-3600	200-1200
2200	4	1	2x26	Person, Cart		2277	1470	2100-3600	200-1200
2400	3	1	2x18	Person, Cart		2477	1095	2100-3600	200-1200
2400	4	1	2x24	Person, Cart		2477	1612	2100-3600	200-1200
2600	3	2	2x33	Person, Cart		2677	1195	2100-3600	200-1200
2600	4	1	2x22	Person, Cart		2677	1753	2100-3600	200-1200
2800	3	2	2x31	Person, Cart		2877	1295	2100-3200	200-1200
2800	4	1	2x20	Person, Cart		2877	1894	2100-3200	200-1200
3000	3	2	2x29	Person, Cart		3077	1395	2100-3000	200-1200
3000	4	2	2x38	Person, Cart		3077	2036	2100-3000	200-1200
3200	3	3	2x41	Person, Cart		3277	1495	2100-2800	200-1200
3200	4	2	2x36	Person, Cart		3277	2177	2100-2800	200-1200
3400	3	3	2x38	Person, Cart, Wheelchair		3477	1595	2100-2600	200-1200
3400	4	2	2x34	Person, Cart		3477	2319	2100-2600	200-1200
3600	3	3	2x36	Person, Cart, Wheelchair		3677	1695	2100-2500	200-1200
3600	4	2	2x32	Person, Cart		3677	2460	2100-2500	200-1200
3800	3	4	2x46	Person, Cart, Wheelchair		3877	1795	2100-2300	200-1200
3800	4	3	2x46	Person, Cart		3877	2601	2100-2300	200-1200

\* Capacity figures are theoretical and based on the max. number of persons per segment in a continuous flow.  
 \*\* Only with collapsible doorset option. Requirements are subject to local regulations.  
 \*\*\* In increments of 100 mm



The design of a building's entrance is crucial in creating a memorable first impression. At Boon Edam, we collaborate with architects and contractors to help them make optimal choices that align with each project's unique specifications. With the Tourniket revolving door, you can customise your entrance to fit your specific goals.

### PUT YOUR STAMP ON IT

The Tourniket offers a range of finishes and colour options to suit your preferences. From powder-coated aluminium in various colours to wooden finishes for a classic retro look or stainless steel and mirror finishes for a modern or futuristic appearance, there are choices to reflect your style.

Our standard specified products come in different heights, widths, canopy heights, and clear passage heights, providing flexibility to meet diverse design, safety and security needs. If your requirements extend beyond the available options, our experienced sales managers and engineers will collaborate with you to create a safe and sustainable entrance just for you.

**NOTE:** Several option combinations can impact the throughput capabilities and integration with the building's structure. Therefore, we recommend that you discuss your needs with a Boon Edam entry expert.

You can select options in any of these areas:

THROUGHPUT   SECURITY   SAFETY

TECHNOLOGY   COMFORT   AESTHETICS

SERVICE

## THROUGHPUT

- Diameter (mm)
- Number of doors / wings
- Height under canopy (mm)
- Manual / semi-automatic / automatic

## SAFETY

- BoonAssist
- Fire alarm connection
- Additional emergency stop button
- Emergency open button
- Accessibility button (push-to-slow button or barrier-free)
- Contrasting stickers on curved walls
- Full width safety sensors
- Collapsible doorset for escape routing
- Voice module

## AESTHETICS

- Canopy height (mm)
- Transparent canopy
- Frameless doorset
- Material / finish (stainless steel, brass or aluminium)
- Coating / surface treatment (powder coating, Anolok or anodised)
- Glass decals and / or branding
- Glass type
- Canopy cover finish
- Position (mid-post / interior / exterior)

## SECURITY

- Burglar-resistance package (RC3)
- Automated doorset locking
- Automated shield door locking
- Security lockdown
- Semi-secured passage with access control
- Glass protection sheet
- Security glass options (P2A, P5A or P6B)

## TECHNOLOGY

- External control panel
- Array of configurable I/O contacts for BMS integration
- Smart lighting control

## COMFORT

- BoonAssist
- Drive unit with push and go or sensor activation
- LED lights
- Air curtain
- Floor mat
- Matwell trim
- Watertight prepared cover (exterior)

## SERVICE AND MAINTENANCE

- Service agreements and maintenance
- Technical support and parts
- Retrofit and upgrades to existing revolving doors
- Operational training



## SERVICE AND MAINTENANCE

With millions of visitors passing through an entry every day, continued and reliable operation is vital. Regular service and maintenance can prevent unexpected hardware breakdowns. Our service and maintenance teams worldwide are experienced in the effects local conditions have on the wear and tear of your entry solutions and can offer specialised service and maintenance contracts that perfectly correspond to those conditions.

We continuously invest in our in-house technicians and engineers by employing our own fully trained and dedicated service maintenance experts. This ensures that you receive the best possible service, with minimal product downtimes and a maintained high-quality entrance investment.

## RETROFITS AND UPGRADES

While we are fully confident in the longevity of all our products, we also understand that your own wants and needs can change over time. Between newer technologies, the need to adhere to new rules and regulations, or even just to give your building a new lease of life, we understand that it's important to have the flexibility and resources available to ensure your building's entrances always meet not only your needs but your staff and visitors needs too.

That is why we are proud to offer a range of upgrade and retrofit services designed to keep your entrance up to date and equipped to tackle the everyday.

## COMPLIANCE

Boon Edam entrances are trusted solutions that allow organisations to meet compliance regulations related to access to areas within a building. We take compliance and safety very seriously and ensure that our products are manufactured, installed and maintained to keep up with the strict criteria required in all our countries. We are always improving and committed to making sure our products are compliant and certified.

### The Tourniket complies with the following European standards:

- Machine Directive 2006/42/EC
- EMC Directive 2014/30/EC
- RoHS Directive 2011/65/EU
- EN16005 - Safety in use for power pedestrian doors
- EN1627 – Burglar-resistant package
- EN356 – Glass specification



# OUR REACH IS GLOBAL.

---

We have been in business for over 150 years manufacturing premium aesthetic and security entrance solutions in the Netherlands, United States of America and China. We can confidently say that we cover every corner of the globe with subsidiary companies in major cities across the globe. Furthermore our global export division not only partner with our distributors, but also offer direct sales and service to every territory. This wide net allows us to have a strong global footprint as well as a personal grasp of local markets and their unique entry requirements.

To find your closest Boon Edam expert, please go to:  
[www.boonedam.com/contact](http://www.boonedam.com/contact)



**Royal Boon Edam International B.V.**  
T +31 (0) 299 38 08 08  
E [info@boonedam.com](mailto:info@boonedam.com)  
I [www.boonedam.com](http://www.boonedam.com)

V2-2405

  
**BOON EDAM**  
YOUR ENTRY EXPERTS.